



 **smith&nephew**
DYONICS[®] 25
Fluid Management System

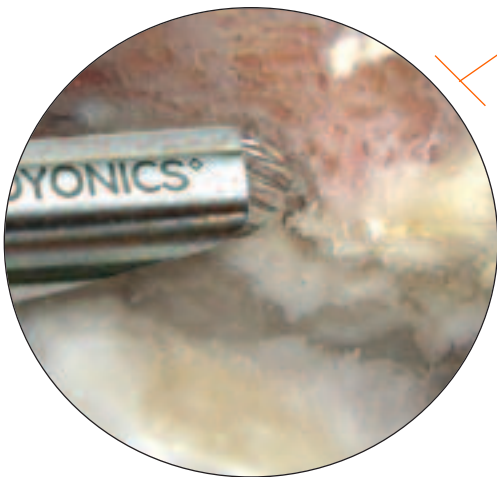
Clear and simple

The DYONICS[◇] 25 Fluid Management System is specially designed to give the surgeon a clear and consistent image in an easy to use, accurate and versatile system.

Clear and simple

The DYONICS 25 Pump is specifically designed to maintain a clear image while providing the surgeon with very accurate in-joint pressures.

- Easy to use - No calibration required. Touch screen interface is user friendly
- A clear image - Unrivalled in-joint pressure accuracy.
- High performance - High flow to 2.5 l/min, outflow control and a Lavage function.
- Minimizes saline usage - Controls fluid outflow



The DYONICS[◇] 25 Fluid Management System is designed to provide a clear view in all arthroscopic procedures.

Control

The optional remote control allows for control of the pressure and flow rates from within the sterile field.



Integrated system

Ergonomically designed, light weight procedure cart

- Robust aluminum and stainless steel construction prevents rusting.
- 4 bag hangers minimize bag changeovers.
- UL listed for safety.
- Available both with and without integrated isolation transformer and power outlets.



Convenient

Unique LEVELERT® II Fluid Sensor alarm will warn when the fluid bags are running low.

- Battery operated
- Compatible with fluid bags up to 5 liters.

High flow performance

A line of cannulas specifically designed to maximize pump performance to provide the clearest image.

- Available in single and double valve designs.
- Unique color markings align the cannulas with the high flow settings on the DYONICS 25 System.

Versatile

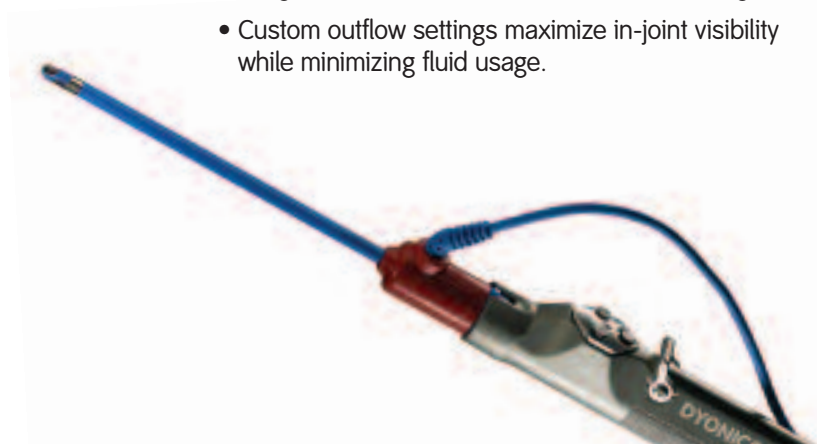
A complete range of tubing styles is available to suit all operative techniques.

- Inflow and outflow control
- Day tubing provides a cost effective solution for facilities with high case volumes.
- Multi-bag adapters allow the use of 4 fluid bags simultaneously.

A powerful combination

Communication with the DYONICS Arthroscopic Resection System provides enhanced outflow management to maintain visibility when resecting tissue.

- Custom outflow settings maximize in-joint visibility while minimizing fluid usage.



Ordering Information

Pump Unit

72200207 DYONICS® 25 Control unit set (US only).
Contact your International Smith & Nephew representative for DYONICS 25 pump systems available outside the US.

Cannulas

72200829 High flow, double-valve, rotatable

72200830 High flow, single-valve, rotatable

Tubing

7211004 Inflow only tube set

7211005 Inflow/outflow tube set, single suction

7211006 Inflow/outflow tube set, forked suction

7211007 Day tube set

7211008 Patient tube set

7204483 Multibag irrigation adaptor

Accessories

72201017 Remote control

7211011 LEVELERT® II Fluid Level Sensor

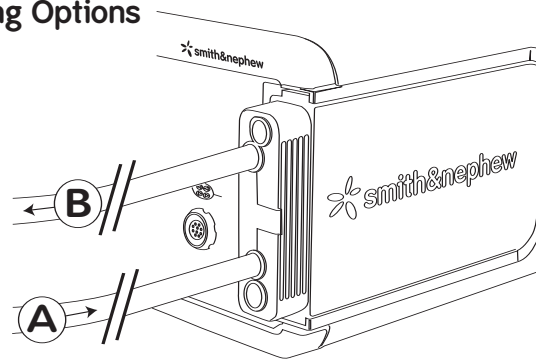
7211009 Luer-to-Colder adaptor for use with INTELIJET® Cannulae

7211014 Equipment cart without power outlets
(North America only. Contact your International Smith & Nephew representative for carts available outside the US.)

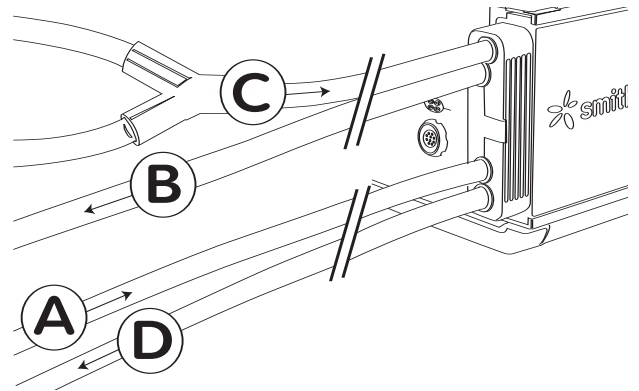
72200747 Equipment cart with electrical transformer and power outlets
(North America only. Contact your International Smith & Nephew representative for carts available outside the US.)

72200888 Transformer upgrade kit

Tubing Options

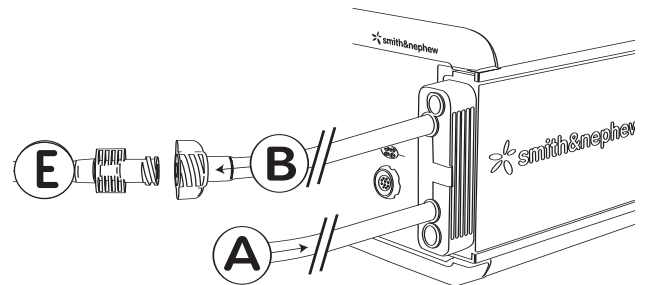


7211004 Inflow only tube set



7211006 Inflow/outflow tube set, forked suction

7211005 Inflow/outflow tube set, single suction
(only has single tube at C)



7211007 Day and 7211008 Patient tubeset

- A Tubing from fluid bag
- B Inflow tube from cassette
- C Outflow return from joint to cassette
- D Outflow to waste
- E Patient inflow tube

Endoscopy

Smith & Nephew, Inc.
Andover, MA 01810
USA

www.smith-nephew.com

T 978 749 1000
US Customer Service: 1 800 343 5717
International Customer Service: +1 978 749 1140

®Trademark of Smith & Nephew, Registered US Patent & Trademark Office.
All other trademarks acknowledged.
©2006 Smith & Nephew. All rights reserved.
Printed in USA. 08/06 10600082 Rev. C